



OPMI PROergo

The smart solution for dentistry



We make it visible.

The moment you see a hidden detail reveal a visible success.

This is the moment we work for.



// DENTAL OPTICS
MADE BY CARL ZEISS



*Endodontics picture courtesy of:
Dr. Wolfgang Gaensler, Illertissen, Germany*



Comfort and information

A Carl Zeiss microscope enables greater precision and efficiency. Key benefits include:

Magnification

You can only treat what you can see. Optics from Carl Zeiss allow visualization of detail and fine structures, enabling you to enhance the quality of your diagnosis and treatment.

Ergonomics

Utilizing OPMI® PROergo during treatment facilitates a comfortable working position. The ergonomic design helps prevent back and neck pain, as well as more serious spine disorders.

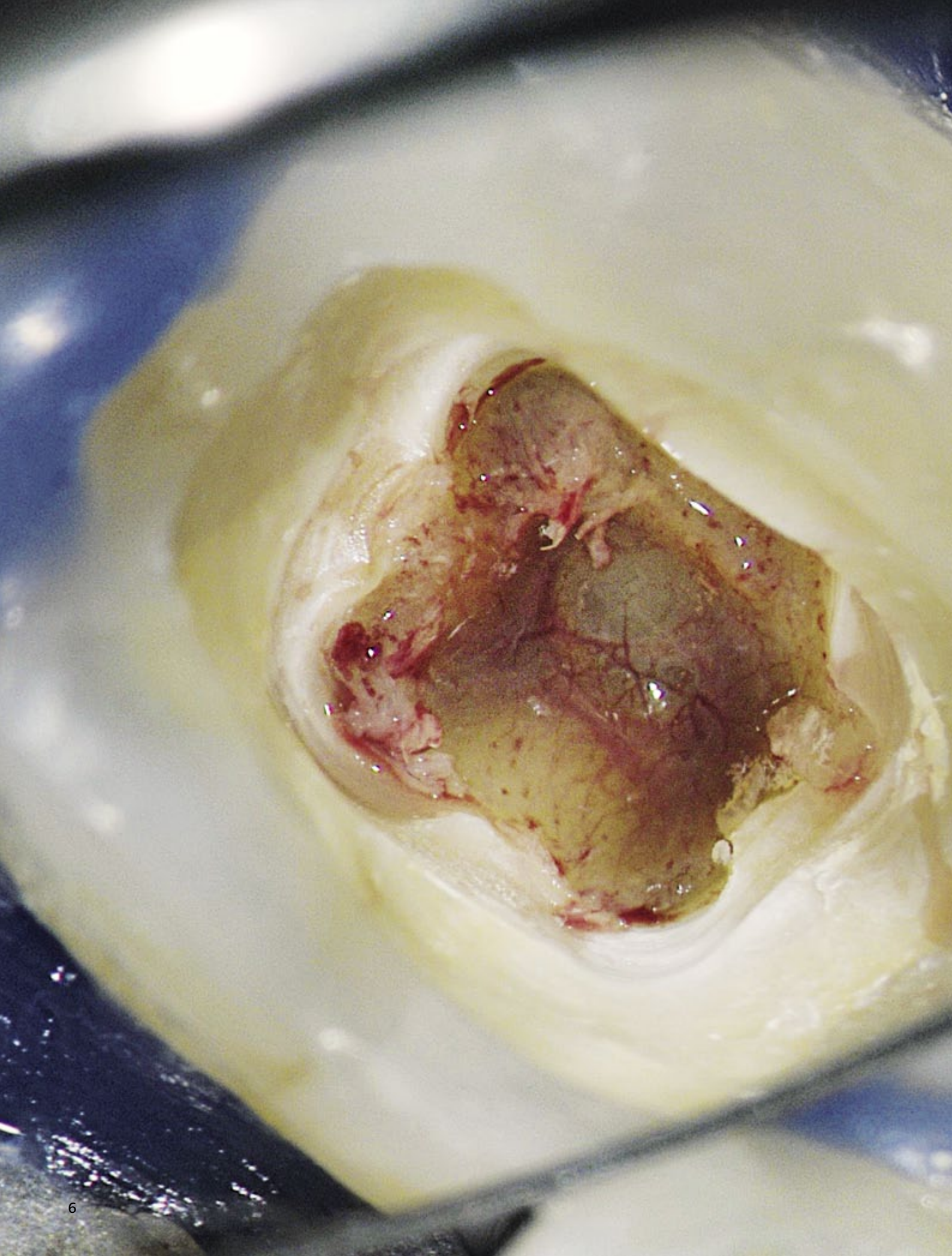
**Communication**

Integrated video cameras make it possible to present the clinical treatment – before, during or after the procedure. High-quality diagnostic images and videos allow you to demonstrate the recommended course of action to your patients during treatment planning sessions.

Clever design

OPMI PROergo combines optical quality with working and operating comfort to deliver an intelligently designed product. From the cables to the control console, Carl Zeiss has integrated each part for convenient operation and a clean, sleek appearance.

When you select your Carl Zeiss microscope you also benefit from the years of experience and optical expertise that come with the name Carl Zeiss.





See more – treat more

OPMI PROergo from Carl Zeiss enables you to view otherwise difficult-to-see regions. The coaxial illumination puts light where it is needed. Even root canals are effectively illuminated and imaged.

*Endodontics picture courtesy of:
Dr. Bijan Vahedi, Augsburg, Germany*



Improved comfort – improved work

By providing you with a comfortable, upright position for your work, OPMI PROergo helps prevent the quick onset of fatigue as well as neck and back problems.

OPMI PROergo provides comfort and a smooth treatment routine with the following three functions:

The motorized Varioskop® adjusts to your seated position. Focus the treatment area with the push of a button and without moving the microscope or changing your working position.

The 180° tiltable tube allows you to work in comfort in a variety of positions and on difficult-to-reach areas. Your back will thank you – particularly during longer procedures.

The Free Float Magnetic System offers effortless maneuvering and smooth, precise positioning. The microscope is always where you want it.

An ergonomic breakthrough

The Foldable Tube f170/f260* combines brilliant apochromatic optics and a unique design for maximum visualization flexibility. It allows dentists a wide range of comfortable working positions, magnification potential and positioning ergonomics – even at extreme treatment approach angles.

Greater comfort

The Foldable Tube f170/f260 introduces a new level of comfort:

Rotate the tube conveniently without moving the microscope head using the integrated 360° rotation function. No need for external rotating adapters while also reducing build height.

Work ergonomically by reducing or increasing the distance to the required treatment field thanks to the patented multi-link design.

The Foldable Tube f170/f260 allows an almost unlimited variety of working positions, providing optimal ergonomics and personalized positioning throughout each treatment. With its long reach, this highly flexible system easily accommodates different ergonomics of the operator and different positions of the patient.

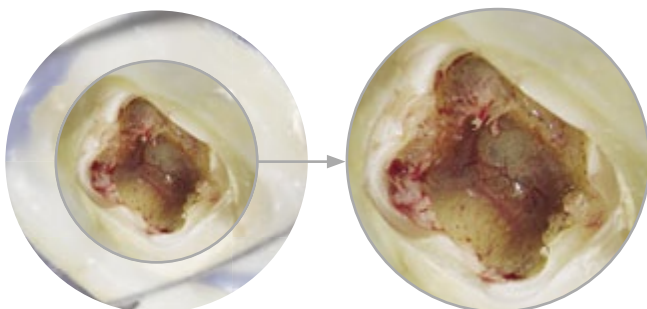


1.), 2.) 3.) Easily adjust angle, length and height as needed 4.) Relaxed working position as eye level is higher than arm posture

Greater detail

Instantly yield a **50% magnification** gain for delicate and detailed procedures with the integrated PROMAG™ function.

Choose between **optimum magnification** and **maximum field of view** with a quick turn of the knob.



PROMAG for additional 50% detail magnification. Endodontics picture courtesy of: Dr. Bijan Vahedi, Augsburg, Germany

*f170: focal length of 170 mm like the tiltable tube
f260: focal length of 260 mm provides additional 50% magnification (PROMAG)

Better communication – better patient compliance

Patients often have difficulty understanding diagnoses, courses of treatment and outcomes. Having the ability to communicate with your patients using clear images and video footage illustrating your clinical concerns is extremely valuable for treatment acceptance and compliance. A picture is worth a thousand words.

OPMI PROergo provides visualization and documentation solutions that enable you to illustrate your work – before, during and after the procedure. The video cameras and camera adapters for OPMI PROergo allow you to document the diagnostic results and treatment stages in digital quality and convincingly demonstrate the accuracy of the recommended procedure.

Furthermore, the MediLive® systems offer solutions for archiving and processing digital images and videos, which can be utilized in many different ways. They can be used to present cases and clinical outcomes to colleagues or document treatment for referrers.

In short: OPMI PROergo creates added value – for your patients, for your office and for you.

*Endodontics picture courtesy of:
Dr. Rino Burkhardt, Zurich, Switzerland*



Welcome to your practice

What you see when looking at OPMI PROergo is a microscope with a sleek, attractive design that matches the overall image of any practice.

What you do not see is the heart and soul of the instrument – the technology that drives it. The cables, light source, light guide, video camera and control console have all been completely integrated into the microscope. There are no exposed cables or external modules and instruments to interfere with your work.

The integrated product design reflects the high quality of the optics, and is part of the many functions that Carl Zeiss delivers with OPMI PROergo.

Integrated light guide and cable

No hanging cables to interfere with your work.



Integrated MediLive Primo video camera (optional)

Featuring a freeze function to capture still shots and a rotatable video image function for upright viewing which enables better communication with both patients and staff during treatment.



**Integrated light source
and backup lamp module**

Whether you choose halogen or xenon illumination, there are no extra boxes to affix to the microscope.

**Integrated control
console**

With a large LCD display and intuitive user menus, it is possible to program individual default settings to meet your practice requirements.

Quality and convenience in one

Carl Zeiss is known around the world for the high quality of its optics. A major feature in the production of Carl Zeiss optics is the apochromatic coating, which corrects for all three wavelengths of the visible spectrum. This ensures that there are no chromatic aberrations and enhances image resolution, contrast and depth perception.

The high quality of OPMI PROergo goes beyond the optics. You will also enjoy high operating comfort and convenience.

Control console

Default settings such as light, zoom or magnification can be personalized and stored for various users, making clinical transitions quick and easy.

Integrated light source

You have the choice of halogen or xenon illumination. Xenon has a light temperature characteristic of natural daylight. Both illumination systems present homogenous, high-contrast illumination of the treatment field. Perhaps the most striking feature is the integrated backup lamp module that can be changed with the push of a button. No treatment interruptions.





**Wide-field eyepieces
(12.5x or 10x)**

Large visual field with 3D, stereoscopic image. Special diopter settings also make them suitable for eyeglass wearers.

**180° tiltable
binocular tube**

For an ergonomically correct, upright seated position even with extreme microscope positions.

Motorized Varioskop

Focus the treatment field at the push of a button without having to move the microscope or change your working position.

Motorized zoom

Continuous magnification. The brightness setting adjusts automatically as you increase or decrease magnification levels.

**Ergonomically designed
handgrips with
function keys**

Control the focus and zoom and set the other configurable function buttons to operate brightness, SpeedFokus® or image freeze.

Welcome to the state of weightlessness

Regardless of the model you select – floor stand, wall or ceiling mount – the free float magnetic system enables you to smoothly and easily position the microscope where you want it with ease.

Free Float Magnetic System

You can unlock the magnetic brakes with the push of a button on the handgrip. You can then easily maneuver the OPMI PROergo into the desired working position. The system locks back into place once the button is released. It's that simple!

SpeedFokus

Manual focusing is a thing of the past. Carl Zeiss believes your hands have more important things to do during treatment. A press of a button is all that is needed to focus the microscope. SpeedFokus is an option available upon request.





Even more possibilities

OPMI PROergo is a system of almost unlimited possibilities. The configuration is tailored to the respective treatment or specific requirement. The available accessories and varying models of OPMI PROergo are as easy and intuitive to use as the microscope itself.

Ergonomic design and operating comfort



Foldable Tube f170/f260
With PROMAG for 50% more magnification.



Angled optics and tube dovetail
For work on difficult-to-reach areas.



Foot control panel
Configurable functions allow you to free up your hands.

Digital visualization



MediLive Primo
Integrated 1 CCD video camera.



Trio 610
External 3 CCD HD camera.

Optics and illumination



Orange filter

Prevents premature curing of composite materials.



Xenon or halogen illumination

Complete with integrated backup lamp module.



Double iris diaphragm

Increases depth of field.



Stereo co-observation tube

Your assistant can follow the procedure live.



Autofocus and SpeedFokus

Fast, automatic focusing.



Free Float Magnetic System

Smooth movement at the push of a button.



Sterilizable caps and handgrip drapes

Conduce asepsis.



VisionGuard® Drape

Helps ensure sterile work environment.



SLR camera adapter.



FlexioStill

Adapter for digital cameras.



FlexioMotion

Adapter for digital camcorders.

OPMI PROergo by the numbers

OPMI PROergo microscope system

Magnification system	Motorized zoom system; with apochromatic 1:6 ratio; magnification factor $Y = 0.4x-2.4x$
----------------------	--

Tube	<ul style="list-style-type: none">- Foldable Tube f170/f260, including PROMAG® function for additional 50% magnification and integrated rotate function (optional)- 0°–180° tiltable binocular tube
------	--

Eyepieces	12.5x and 10x wide-field eyepieces
-----------	------------------------------------

Magnification range	Example with AA 300 mm and 12.5x eyepiece Magnification: 2.3x up to 14x Field-of-view diameter: 75 to 16 mm
---------------------	---

Focusing system	<ul style="list-style-type: none">- Continuous motorized focusing via Varioskop; focusing range of 200–415 mm- SpeedFokus (optional)
-----------------	---

Additional optics	<ul style="list-style-type: none">- Angled optics with tube dovetail (optional)- Double iris diaphragm to increase the depth of field (optional)
-------------------	---

Operating concept	<ul style="list-style-type: none">- Free Float Magnetic System- LCD display with user guidance- Handgrip buttons for zoom and focus and freely programmable function keys- Foot control panel for zoom and focus (optional)
-------------------	--

Camera systems (optional)

Integrated MediLive Primo 1 CD video camera	<ul style="list-style-type: none">- Functioning and ready to use at any time- Freeze function for still shots- Continuous image rotation- Specific user settings- Video standard: PAL/NTSC- Ports: Y/C (S-Video), VBS (composite)
---	--

Accessories to attach external cameras	Splitter: Angled optics documentation port, optional with tube dovetail <ul style="list-style-type: none">- Beam splitter 20 with documentation port- Beam splitter 50 with documentation port Adapters: <ul style="list-style-type: none">- Video lenses with C-mount interface for the attachment of external video cameras- Lenses to attach external digital still cameras
--	---

Illumination system

- Integrated coaxial cold-light illumination
 - Adjust brightness via the handgrip buttons
 - Swing-in illumination diaphragms
 - Orange filter for composite materials
 - Integrated 12 V 100 W halogen illumination with 2 halogen reflector lamps in the quick-change module
 - Integrated 12 V 180 W xenon illumination with daylight characteristic including 2 xenon lamps in the quick-change module (optional)
-

Accessories

- Splash protection for the objective lens
- High-quality cover lens with good optical quality, easy to change
 - Reflection-free vision through slanted arrangement of the lens
-

VisionGuard drapes for sterile work

Electrical data

Rated voltage

115 V ~ (100...125 V ~ ± 10%)
230 V ~ (220...240 V ~ ± 10%)

Current consumption

115 V ~ max. 10 A
230 V ~ max. 8 A

Rated frequency

50...60 Hz

Fuses

Automatic circuit breaker

Electrical outlets

- Surgical microscope
- Remote socket for an external signal of a maximum of 24 V/0.5 A

OPMI PROergo technical data

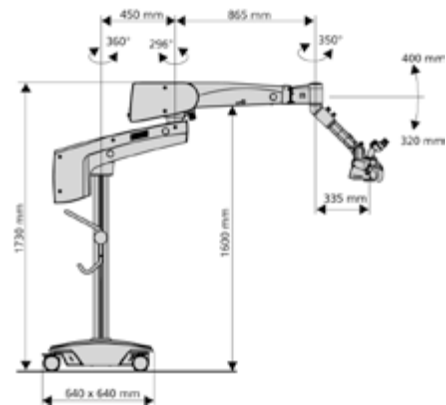
Suspension system

S7 carrier system for user-friendly operation of OPMI PROergo

- Max. capacity 14 kg

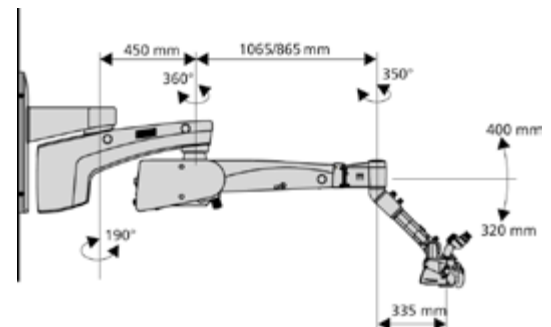
S7 floor stand

- Mobile solutions for the practice
- Dimensions: 640 x 640 mm
- Weight: approx. 177 kg



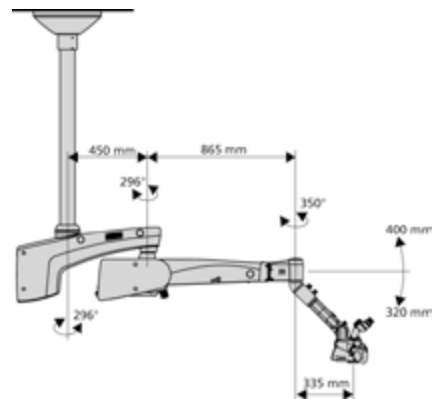
S7 wall mount

- The space-saving alternative for small rooms
- Weight
- Short arm: approx. 68 kg
- Long arm: approx. 69 kg



S7 ceiling mount

- Creates free space around the treatment chair
- Weight: approx. 80 kg



S7 Centro mount for support system KaVo CENTRO

- For space-saving integration into the office
- Weight: approx. 53 kg



Your local contact:

Argentina

Carl Zeiss Argentina S.A.
Calle Nahuel Huapi 4015 / 25
C1430 BCO Buenos Aires
Argentina
Phone: +54 11 45 45 66 61
bruzzi@zeiss.com.ar

Australia

Carl Zeiss Pty Ltd
Tenancy Office 4, Level 1
40-52 Talavera Road
North Ryde NSW 2113
Australia
Phone: +61 2 9020 1333
med@zeiss.com

Austria

Carl Zeiss GmbH
Laxenburger Str. 2
1100 Vienna
Austria
Phone: +43 1 79 51 80
austria@zeiss.org

Belgium

Carl Zeiss NV-SA
Ikarooslaan 49
1930 Zaventem
Belgium
Phone: +32 2 719 39 11
info@zeiss.be

Brazil

Carl Zeiss do Brasil Ltda.
Av. Nações Unidas, 21711
CEP04795-100 São Paulo
Brazil
Phone: +55 11 5693 5521
medbrasil@zeiss.org

Canada

Carl Zeiss Canada Ltd.
45 Valleybrook Drive
Toronto, ON M3B 2S6
Canada
Phone: +1 800 387 8037
micro@zeiss.com

China

Carl Zeiss Shanghai Co. Ltd.
1/f., Ke Yuan Building
11 Ri Yin Nan Road
Waigaoqiao Free Trade Zone
2005 Yang Gao Bei Road
Shanghai 200131
China
Phone: +86 21 5048 17 17
sro@zeiss.com.cn

Czech Republic

Carl Zeiss spol. s.r.o.
Radlická 14/320F
150 00 Prague 5
Czech Republic
Phone: +420 233 101 221
zeiss@zeiss.cz

France

Carl Zeiss Meditec France SAS
60, route de Sartrouville
78230 Le Pecq
France
Phone: +33 1 34 80 21 00
med@zeiss.fr

Germany

Carl Zeiss Meditec VG mbH
Carl-Zeiss-Strasse 22
73447 Oberkochen
Germany
Phone: +49 7364 20 6000
vertrieb@meditec.zeiss.com
Surgical Ophthalmology:
Phone: +49 800 470 50 30
iol.order@meditec.zeiss.com

Hong Kong

Carl Zeiss Far East Co. Ltd.
Units 11-12, 25/F
Tower 2, Ever Gain Plaza
No. 88 Container Port Road
Kwai Chung
Hong Kong
Phone: +852 2332 0402
czfe@zeiss.com.hk

India

Carl Zeiss India Pvt. Ltd.
22, Kensington Road
Ulsoor
Bangalore 560 008
India
Phone: +91 80 2557 88 88
info@zeiss.co.in

Italy

Carl Zeiss S.p.A.
Viale delle Industrie 20
20020 Arese (Milan)
Italy
Phone: +39 02 93773 1
infomed@zeiss.it

Japan

Carl Zeiss Meditec Japan Co. Ltd.
Shinjuku Ku
Tokyo 160-0003
22 Honchio-Cho
Japan
Ophthalmic instruments:
Phone: +81 3 33 55 0331
medsales@zeiss.co.jp
Surgical instruments:
Phone: +81 3 33 55 0341
cmskoho@zeiss.co.jp

Malaysia

Carl Zeiss Sdn Bhd.
Lot2, Jalan 243/51 A
46100 Petaling Jaya
Selangor Darul Ehsan
Malaysia
Phone: +60 3 7877 50 58
malaysia@zeiss.com.sg

Mexico

Carl Zeiss de México S.A. de C.V.
Avenida Miguel Angel de Quevedo
496
04010 Mexico City
Mexico
Phone: +52 55 59 99 0200
cz-mexico@zeiss.org

Netherlands

Carl Zeiss B.V.
Trapezium 300
Postbus 310
3364 DL Sliedrecht
Netherlands
Phone: +31 184 43 34 00
info@zeiss.nl

New Zealand

Carl Zeiss (N.Z.) Ltd.
15B Paramount Drive
P.O. Box 121 - 1001
Henderson, Auckland 0650
New Zealand
Phone: +64 9 838 5626
med@zeiss.com

Poland

Carl Zeiss sp. z o.o.
ul. Lopuzanska 32
02-220 Warsaw
Poland
Phone: +48 22 858 2343
medycyna@zeiss.pl

Singapore

Carl Zeiss Ptd. Ltd.
50 Kaki Bukit Place
Singapore 415926
Singapore
Phone: +65 6741 9600
info@zeiss.com.sg

South Africa

Carl Zeiss (Pty.) Ltd.
363 Oak Avenue
Ferndale
Randburg 2194
South Africa
Phone: +27 11 886 9510
info@zeiss.co.za

South Korea

Carl Zeiss Co. Ltd.
Seoul 121-828
Mapo-gu
141-1, Sangsu-dong
2F, BR Elitel Bldg.
South Korea
Phone: +82 2 3140 2600
korea@zeiss.co.kr

Spain

Carl Zeiss Meditec Iberia S.A.U.
Ronda de Poniente, 15
Tres Cantos
28760 Madrid
Spain
Phone: +34 91 203 37 00
info@zeiss.es

Sweden

Carl Zeiss AB
Tegeluddsvaegen 76
10254 Stockholm
Sweden
Phone: +46 84 59 25 00
info@zeiss.se

Switzerland

Carl Zeiss AG
Feldbachstrasse 81
8714 Feldbach
Switzerland
Phone: +41 55 254 7534
info@zeiss.ch

Thailand

Carl Zeiss Thailand
Floor 8, Thosapol Land Building 2
230 Ratchadapisek Road
Huaykwang, Bangkok 10310
Thailand
Phone: +66 2 2 74 06 43
thailand@zeiss.com.sg

United Kingdom

Carl Zeiss Ltd.
15-20 Woodfield Road
Welwyn Garden City
Hertfordshire, AL7 1JQ
United Kingdom
Phone: +44 1707 871200
info@zeiss.co.uk

United States of America

Carl Zeiss Meditec, Inc.
5160 Hacienda Drive
Dublin, CA 94568
USA
Phone: +1 925 557 4100
info@meditec.zeiss.com



Carl Zeiss Meditec AG

Goeschwitzer Strasse 51–52

07745 Jena

Germany

www.meditec.zeiss.com/dentistry

www.meditec.zeiss.com/contacts

EN_30_010_01871 AS_3906 Printed in Germany CZ-IV/2012
The contents of the brochure may differ from the current status of approval of the product in your country. Please contact our regional representative for more information.

OPMI, Medilive, Varioskop, Speedfokus, PROMAG and VisionGuard are registered trademarks of Carl Zeiss.
Subject to change in design and scope of delivery and as a result of ongoing technical development. Printed on elemental chlorine-free bleached paper.
© 2012 by Carl Zeiss Meditec AG. All copyrights reserved.